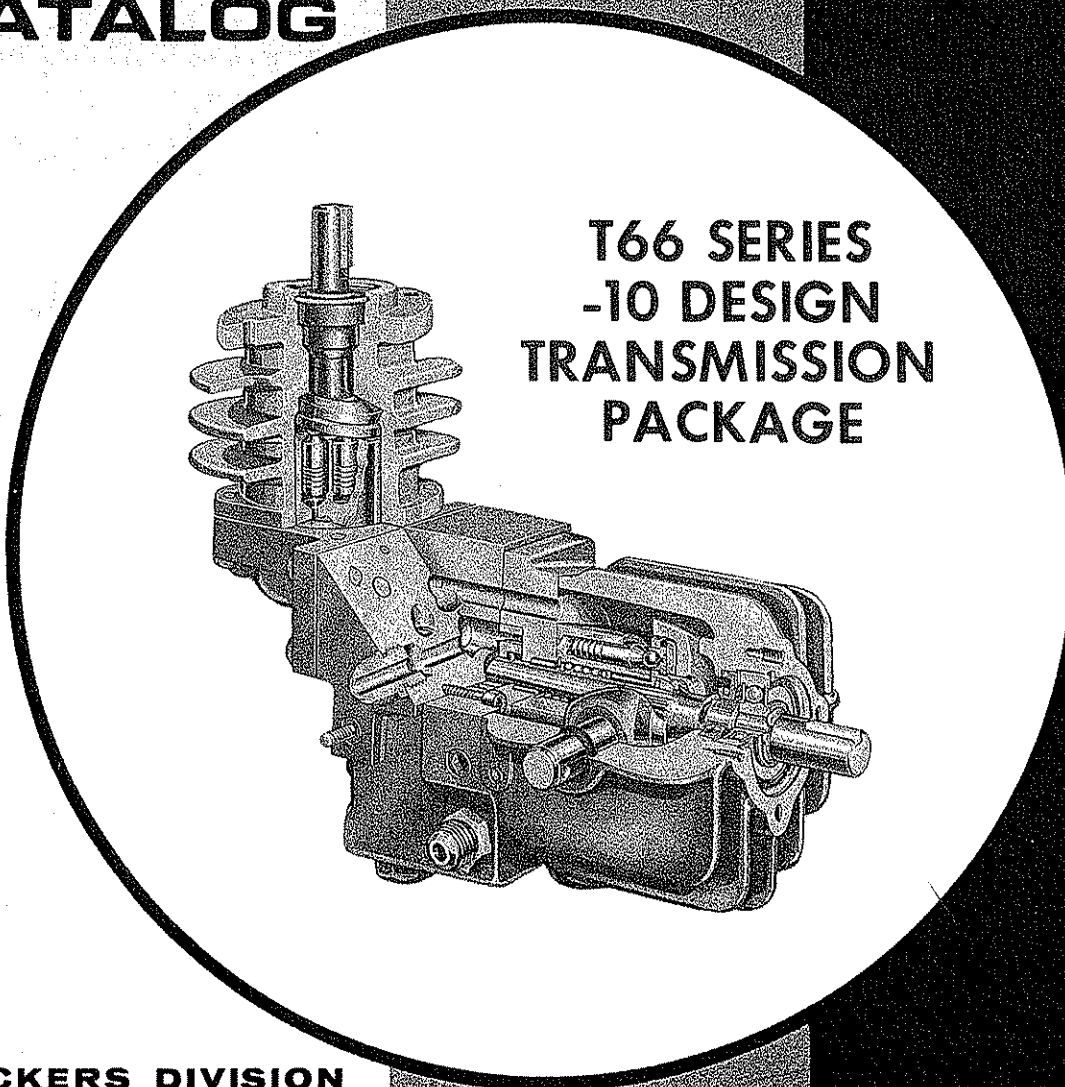


VICKERS

MOBILE HYDRAULICS DIVISION

SERVICE PARTS CATALOG

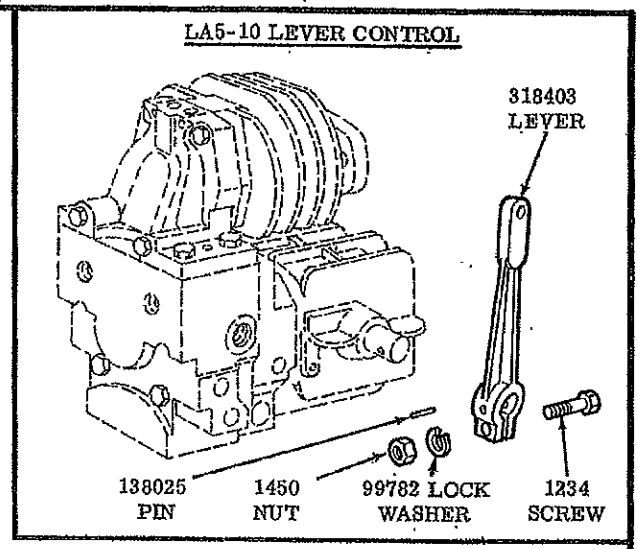
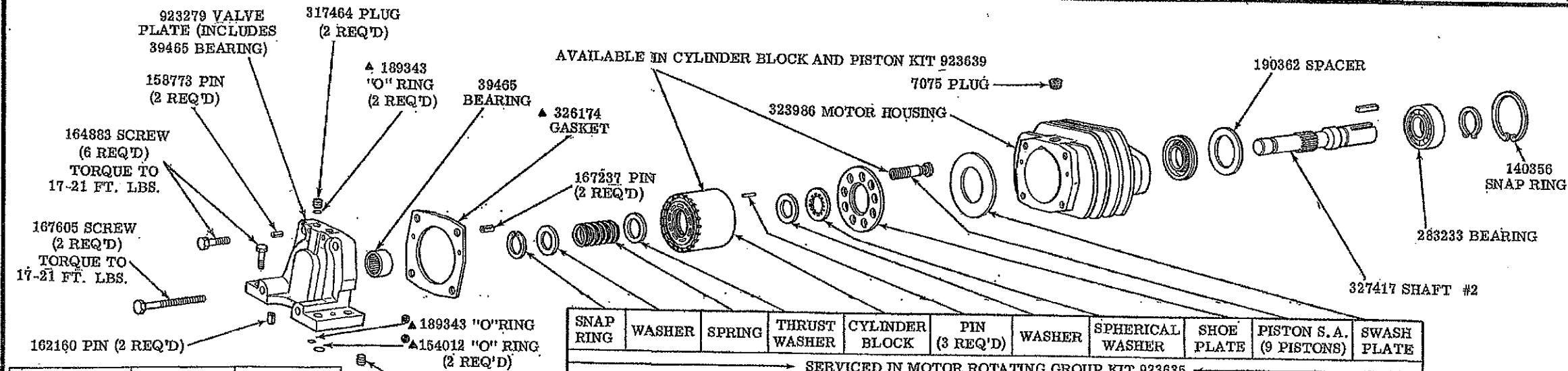
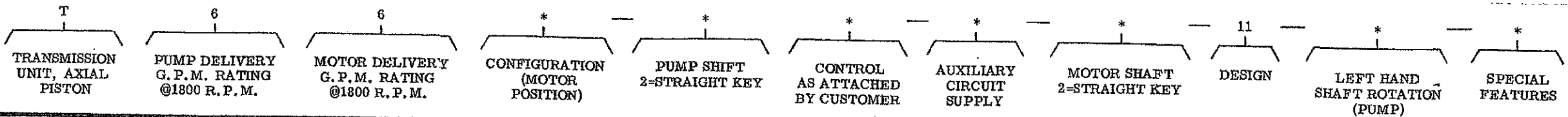
 SPERRY RAND



T66 SERIES
-10 DESIGN
TRANSMISSION
PACKAGE

VICKERS DIVISION
TROY, MICHIGAN 48084

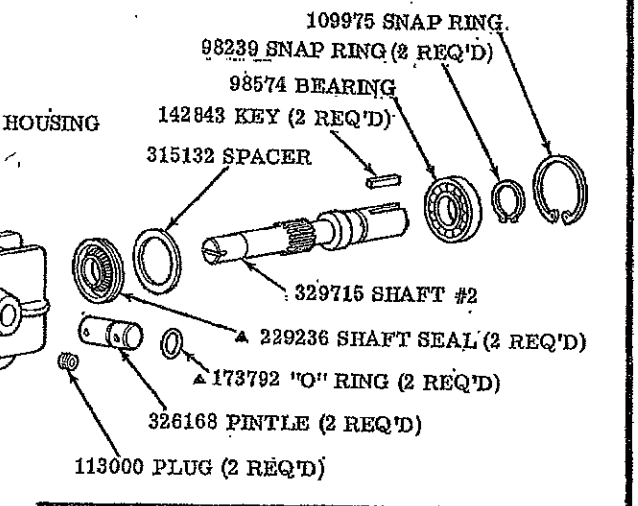
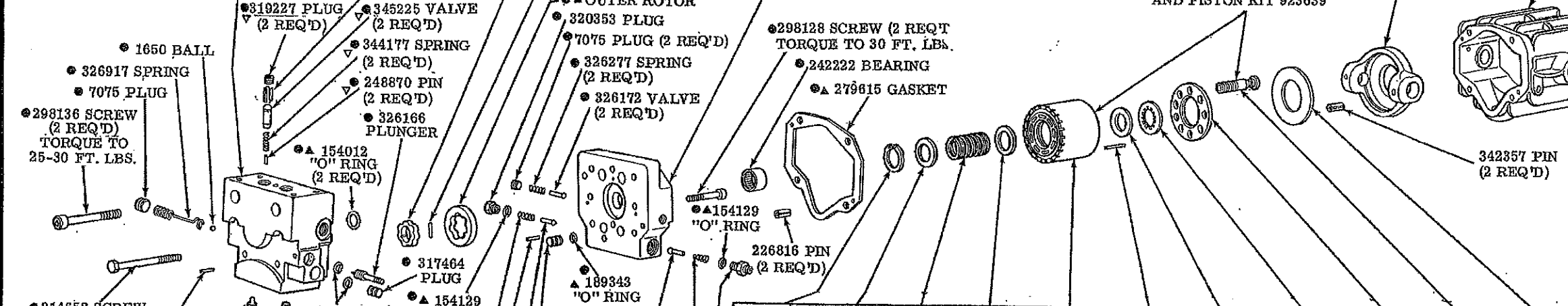
MODEL CODE



MODEL DESIGNATION	TRANSFER BLOCK (LEFT)	TRANSFER BLOCK (RIGHT)
T66V-***-11	●329725	●329720
T66X-***-11	●330824	●329719
T66Y-***-11	●329725	●329720
T66Z-***-11	●330824	●329719

SNAP RING	WASHER	SPRING	THRUST WASHER	CYLINDER BLOCK	PIN (3 REQ'D)	WASHER	SPHERICAL WASHER	SHOE PLATE	PISTON S.A. (9 PISTONS)	SWASH PLATE
165385	275474	272015	275474	315148	248203	274956	275485	330837	330836	397710

VALVE PLATE S.A. INCLUDES 242222 BEARING		MODEL DESIGNATION
●923276		T66***-11
●923432		T66***-11L



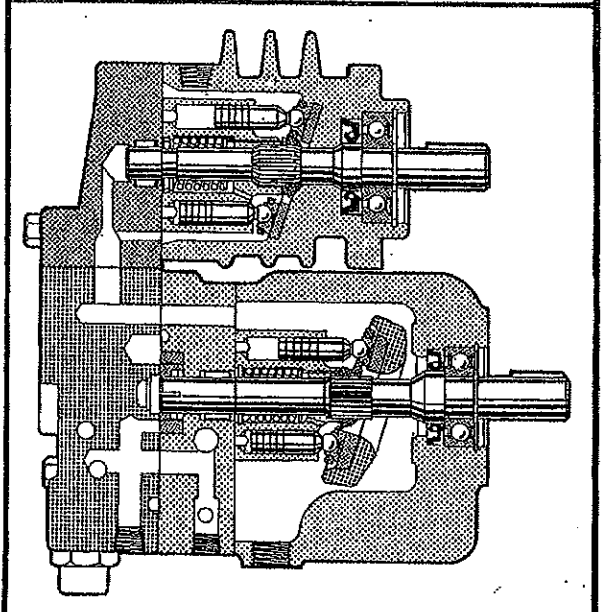
SNAP RING	WASHER	SPRING	THRUST WASHER	CYLINDER BLOCK	PIN (3 REQ'D)	WASHER	SPHERICAL WASHER	SHOE PLATE	PISTON S.A. (9 PISTONS)	SWASH PLATE
165385	275474	272015	275474	315148	248203	274956	275485	330837	330836	397710

VALVE POPPET	SPRING	CONNECTOR	MODEL DESIGNATION
●326172	●327582	●320353	T66***-11
		●185346	T66***-S-11

MODEL DESIGNATION	SPRING
T66***-11	● 327582
T66***-S-11	● 327581

- = THESE PARTS ARE SERVICED IN CHARGE PUMP KIT 923427
- ▲ = THESE PARTS ARE SERVICED IN SEAL KIT 923428
- ▼ = THESE PARTS ARE SERVICED IN VALVE REPAIR KIT 923435
- = THESE PARTS ARE AVAILABLE IN TRANSFER BLOCK AND VALVE PLATE ASSEMBLY WHICH IS ASSEMBLED AND TESTED AT FACTORY

- RIGHT HAND ("V" or "Y") = 923436
- RIGHT HAND ("X" or "Z") = 923437
- LEFT HAND ("V" or "Y") = 923438
- LEFT HAND ("X" or "Z") = 923439



ASSEMBLY VIEW

INCLUDE COMPLETE MODEL NUMBER ON ALL PARTS ORDERS